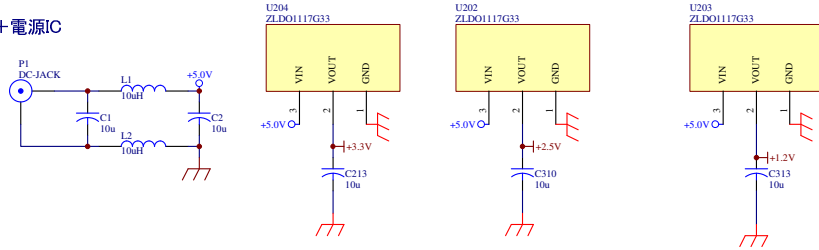
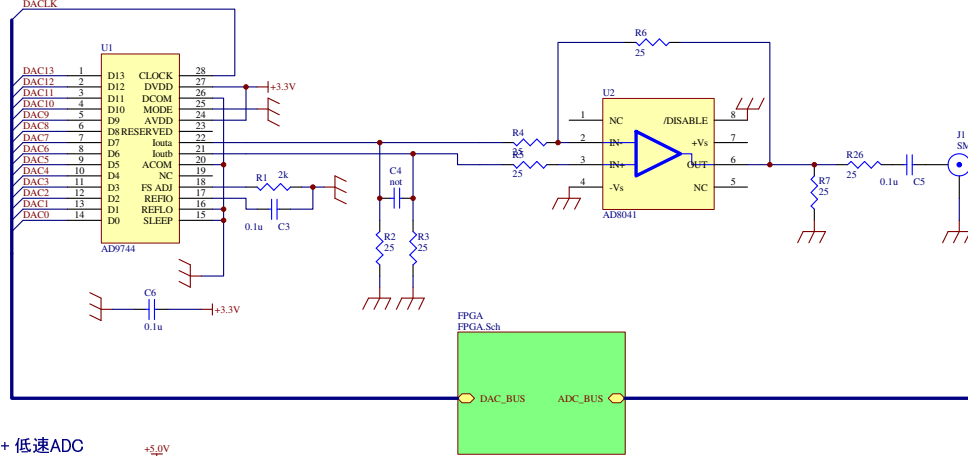


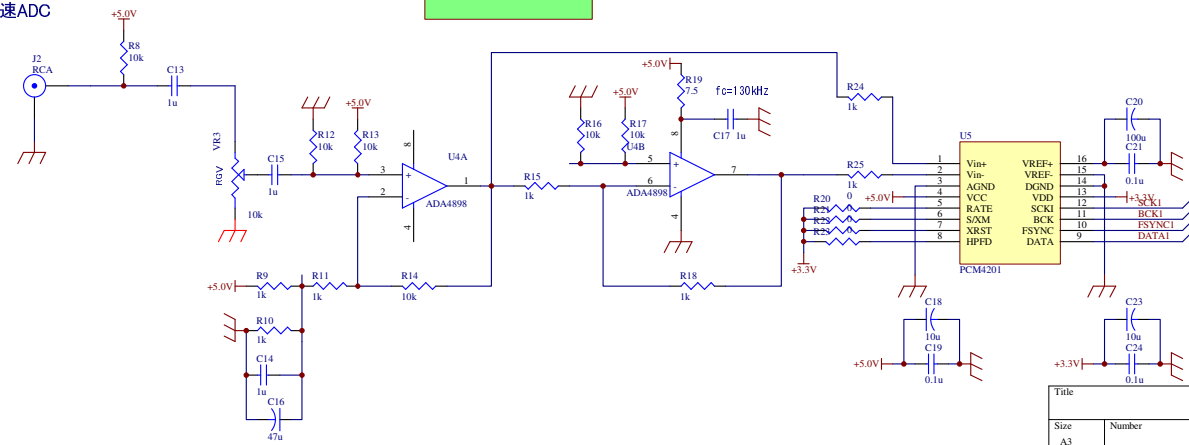
電源入力 + 電源IC



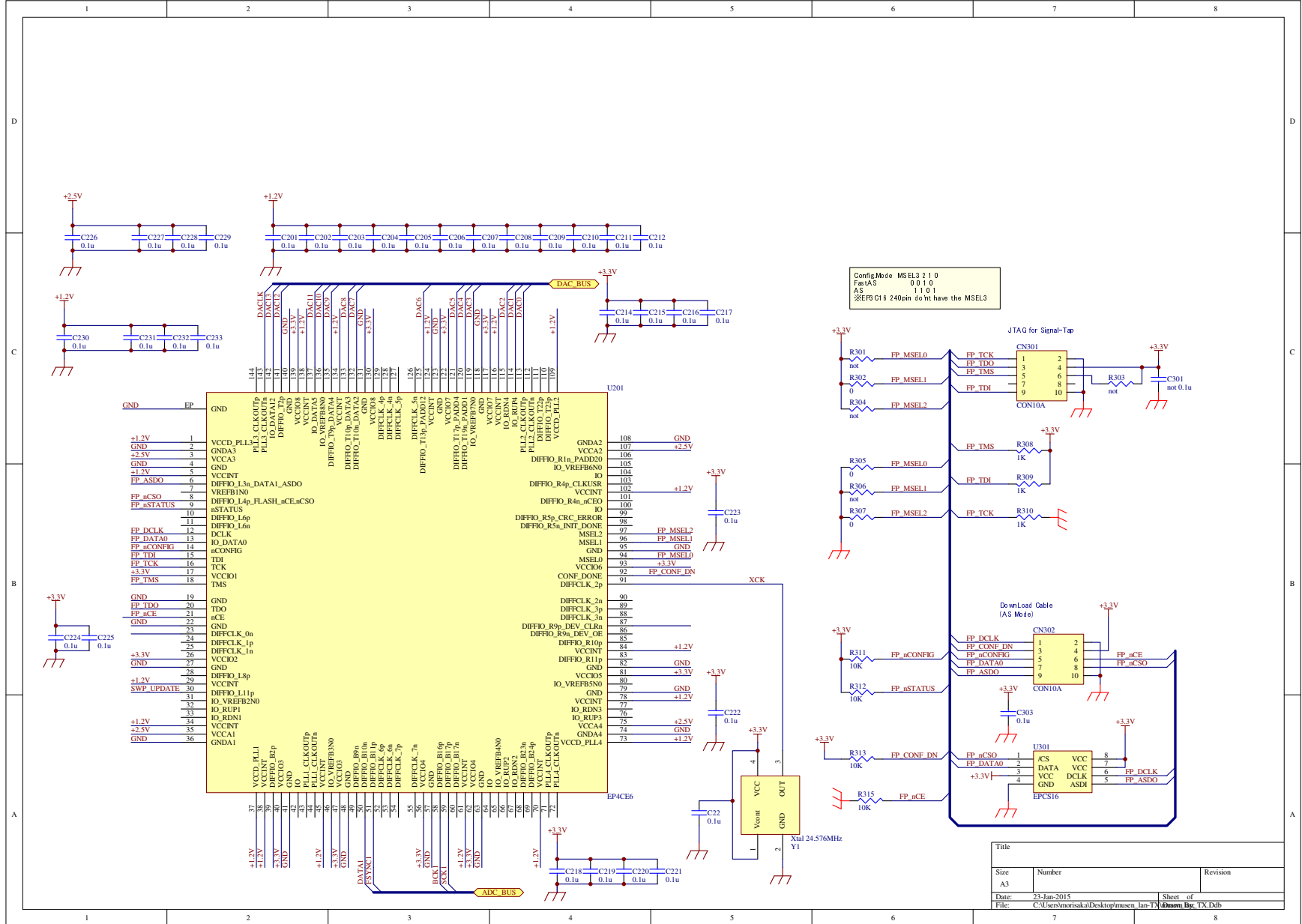
高速DAC + バッファアンプ



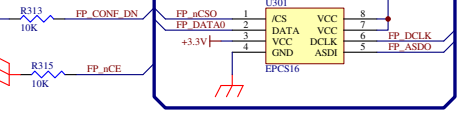
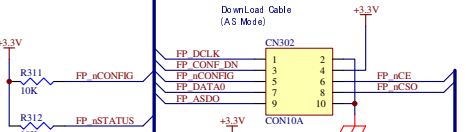
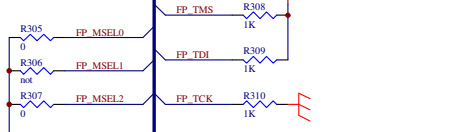
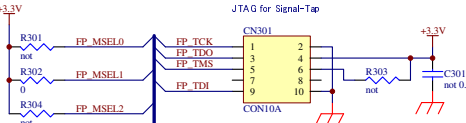
入力アンプ + 低速ADC



Title		
Size	Number	Revision
A3		
Date:	23-Jan-2015	Sheet of
File:	C:\Users\morisaka\Desktop\musen_jan-TX\musen_Bsp_TX.Ddb	



Config: Mode MSEL3 2 1 0
 Fat: AS 0 0 1 0
 AS 1 1 0 1
 ※EP4CE6 240pin do not have the MSEL3



Title		
Size	Number	Revision
A3		
Date:	23-Jan-2015	Sheet of
File:	C:\Users\morisaka\Desktop\musem Jan-TX	libnum Bsp. TX Ddb