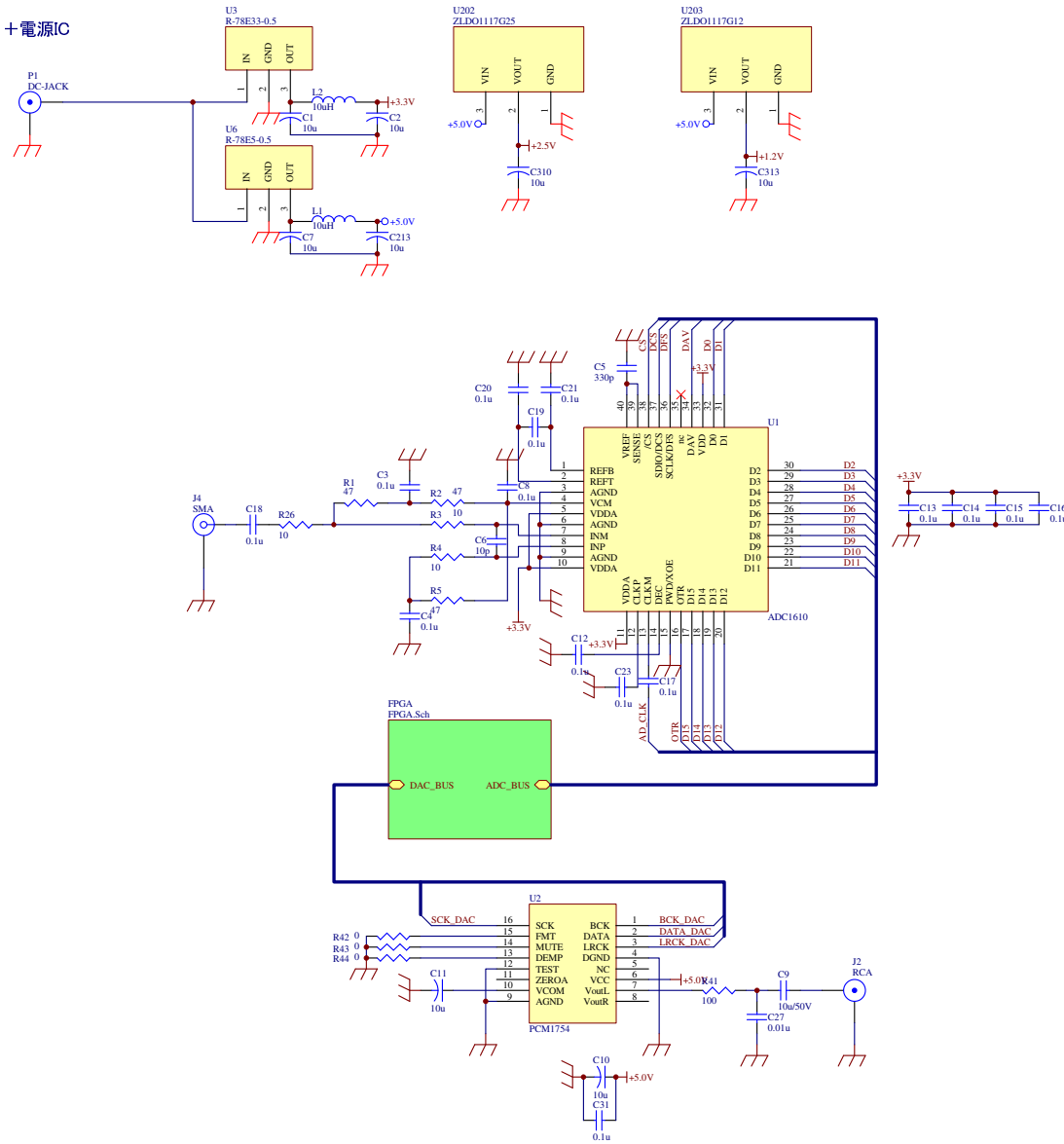


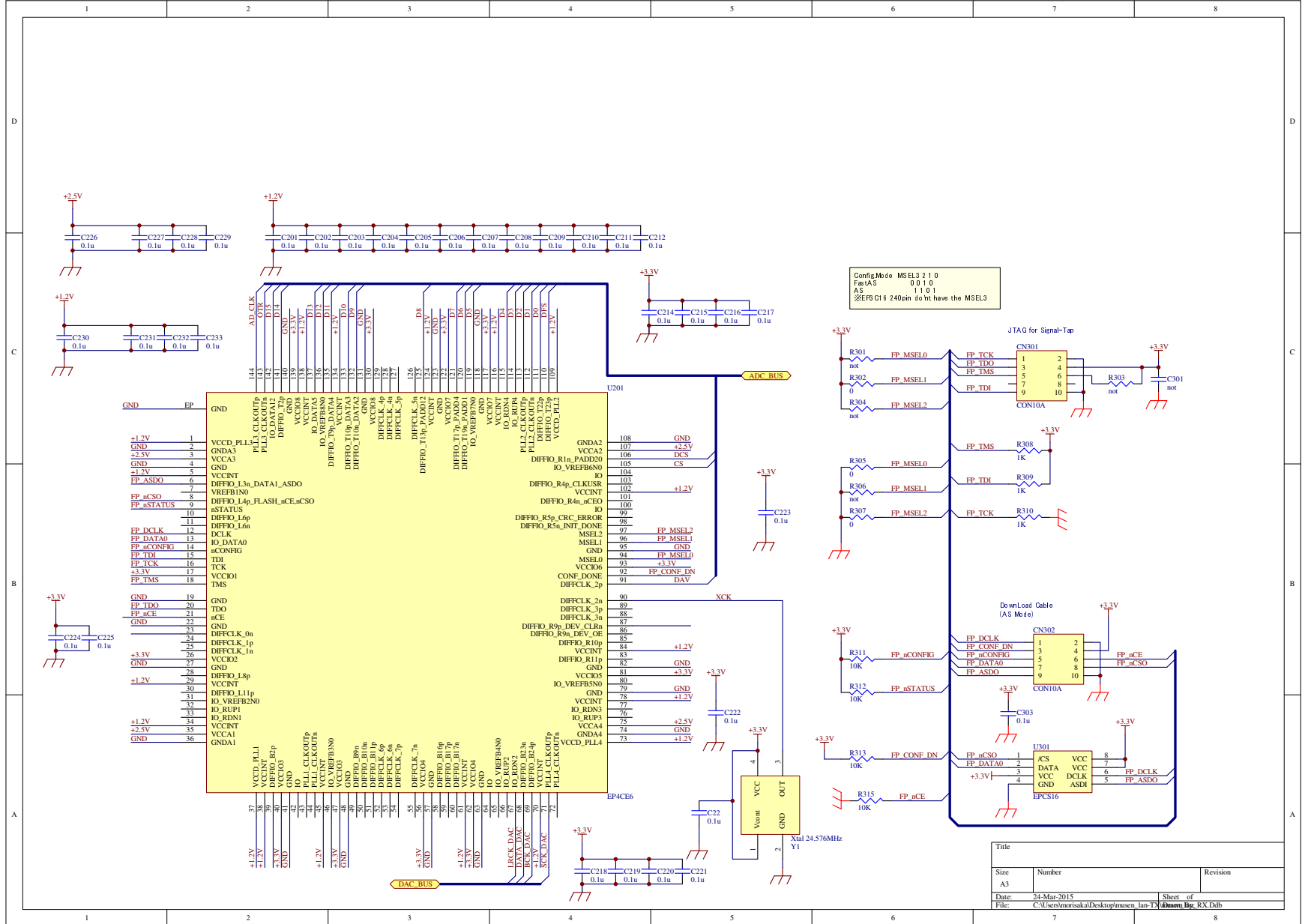
電源入力 + 電源IC

高速ADC

低速DAC



Title		
Size	Number	Revision
A3		
Date:	24-Mar-2015	Sheet of
File:	C:\Users\morisaka\Desktop\musen_lan-TX\libnum_Bsp_RX.Dtb	



Config Mode MSEL3 2 1 0
 FailAS 0 0 1 0
 AS 1 1 0 1
 ※EPB CI # 240 pin do not have the MSEL3

Title		
Size	Number	Revision
A3		
Date:	24-Mar-2015	Sheet of
File:	C:\Users\morisaka\Desktop\musem_lun-TX\libnum_Bsp_RX.Ddb	